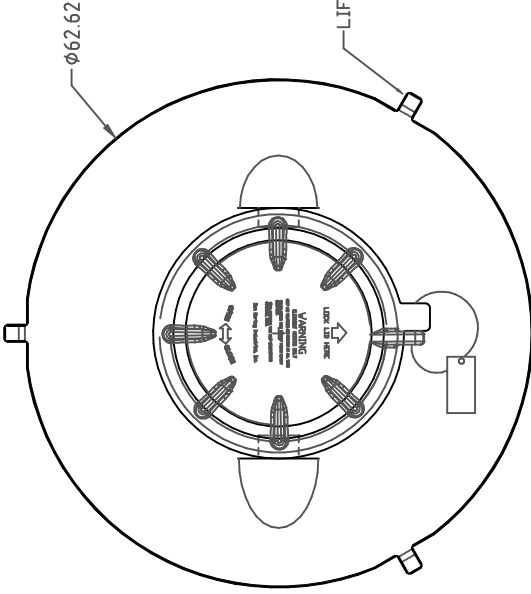


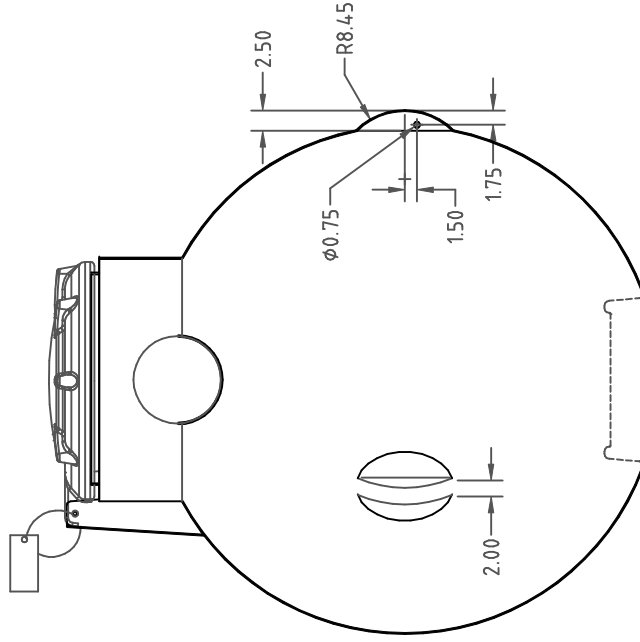
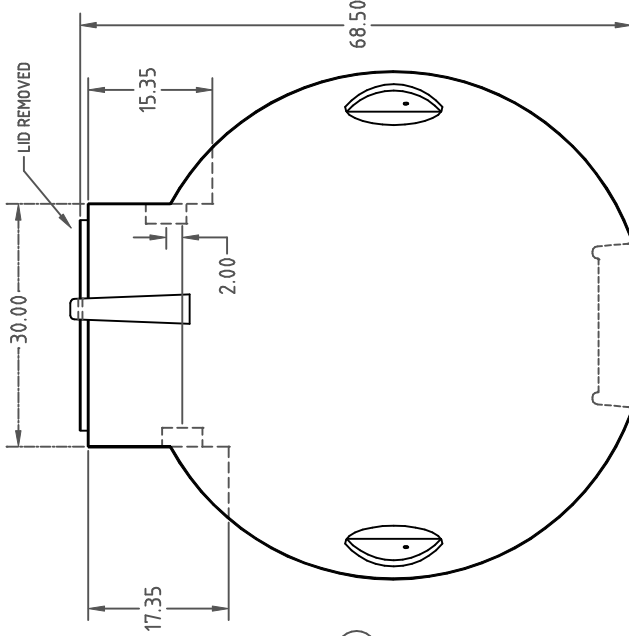
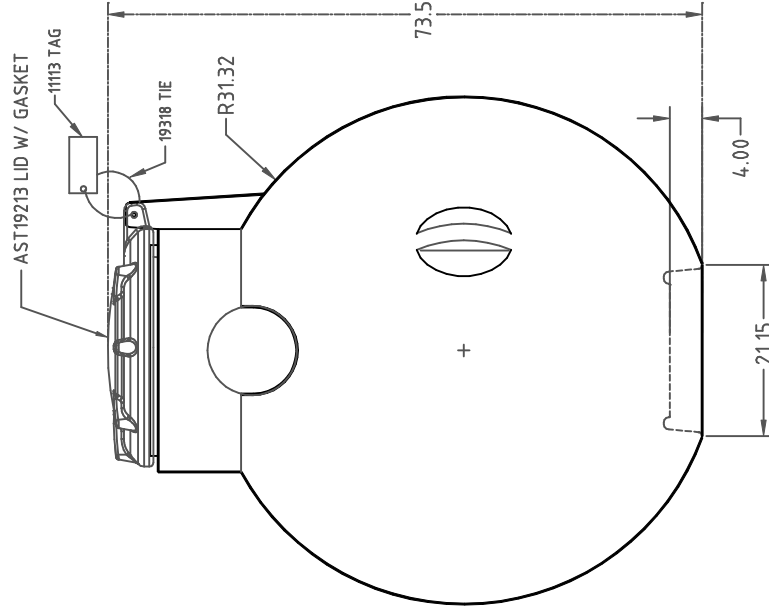
PROPRIETARY DATA

PROPERTY OF ACE ROTO-MOLD MFG., INC. INFORMATION FURNISHED HEREIN IS THE PROPERTY OF ACE ROTO-MOLD MFG., INC. AND SHALL NOT BE USED, DISCLOSED TO OTHERS, OR COPIED WITHOUT THE EXPRESSED WRITTEN CONSENT OF ACE ROTO-MOLD MFG., INC. ALL RIGHTS RESERVED.





AST-0525-1W

B



SHIPPING WEIGHT = 194 LB.

 <h1>Ace Roto-Mold</h1> <p>A DIVISION OF DEN HARTOG INDUSTRIES, INC.</p>		<p>CLIENT / DESCRIPTION</p> <p>525 GALLON CISTERNA TANK</p>		<p>SCALE</p> <p>NONE</p>		<p>PART NO.</p> <p>AST-0525-1W</p>	
<p>REV</p> <p>DESCRIPTION</p> <p>DATE APPRD.</p>		<p>SHOT WEIGHT</p> <p>180 LBS. NATURAL</p>		<p>NOTES :</p> <p>THIRD ANGLE PROJECTION ANSI 14.5M</p> 		<p>SHIPPING WEIGHT = 194 LB.</p>	
B	ADDED 10 LB.	8/31/07	DHJ 9/19/06				
A	ADDED 4"	8/31/07	REH 7/25/07				
<p>ALL DIMENSIONS ARE IN DECIMAL INCHES TOLERANCES UNLESS OTHERWISE SPECIFIED ± 1% @ 68 F</p>							