

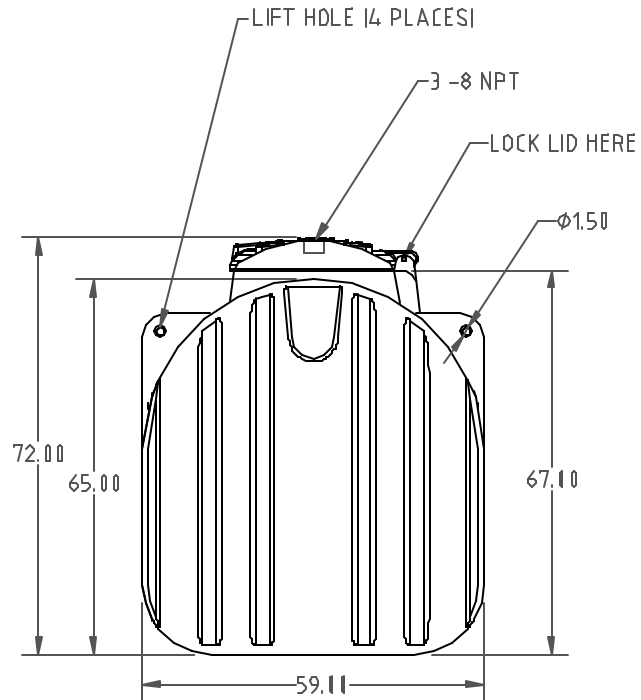
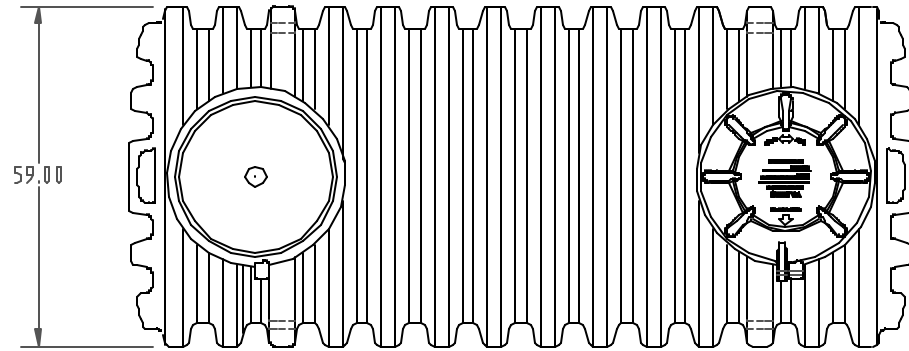
PROPRIETARY DATA

AST-1700-1W

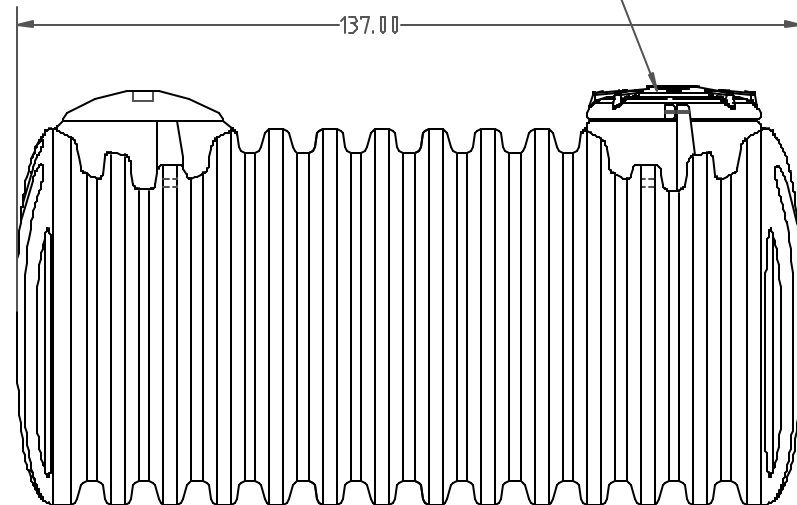
C


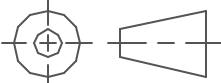
PROPERTY OF ACE ROTO-MOLD MFG., INC. INFORMATION FURNISHED HEREIN IS THE PROPERTY OF ACE ROTO-MOLD MFG., INC. AND SHALL NOT BE USED, DISCLOSED TO OTHERS, OR COPIED WITHOUT THE EXPRESSED WRITTEN CONSENT OF ACE ROTO-MOLD MFG., INC. ALL RIGHTS RESERVED.

A REFERENCE PUBLICATION 10039 FOR SEPTIC TANKS OR PUBLICATION 10149 FOR CISTERN TANKS FOR SPECIFIC INSTALLATION GUIDELINES.



19213 LID AND GASKET ASSEMBLY



C	CHANGE TO ONE LID	3/17/16	DHJ	DRAWN / DATE	MATERIAL EXXON HD8661 HDPE OR EQUIVALENT REFERENCE MATERIAL DATA SHEET FOR SPECIFIC PROPERTIES.	 Ace Roto-Mold A DIVISION OF DEN HARTOG INDUSTRIES, INC. 4018 HWY. 80 BLVD. BOX 421, HOBPER, IOWA 51238	
B	CHANGE WEIGHT WAS 528	3/17/16	DHJ	REH / 3/15/14			
A	ADDED PUBLICATION REF	9/31/15	NVE	APPRD. / DATE REH / 3/15/14			
REV	DESCRIPTION	DATE	APPRD.			CLIENT / DESCRIPTION 1700 GAL. SINGLE CISTERN TANK	
ALL DIMENSIONS ARE IN DECIMAL INCHES TOLERANCES UNLESS OTHERWISE SPECIFIED $\pm 1\% @ 68^\circ F$				THIRD ANGLE PROJECTION ANSI 1:5:1 	NOTES: 1. MIN. WALL @ .251 2. NATURAL COLOR 3. SHOT WEIGHT 553 LBS.	SCALE N.S.	PART NO. AST-1700-1W