

BERKELEY® SSHM-2 THREE AND FOUR STAGE IRRIGATION PUMPS

The SSHM-2 stainless steel self-priming pumps are the first to deliver high-pressure performance without priming problems and delays.

Design Features

- ▶ **Self-priming design**
Once initially primed, the SSHM-2 remains primed cycle after cycle with check valve
- ▶ **Motor**
2 HP, 3450 rpm, 230 volt, single phase, high service factor open drip proof, suitable for continuous duty operation, includes auto reset, single-phase; three-phase TEFC option available
- ▶ **Stainless steel outer shell**
Polished 304 stainless steel shell
- ▶ **Cast iron suction inlet**
1-1/2" suction connection, heavy-duty durable cast iron suction bracket
- ▶ **Cast iron motor bracket and integral pedestal**
1-1/4" discharge connection, heavy-duty stable design for rigid pipe connections and base mounting

Applications

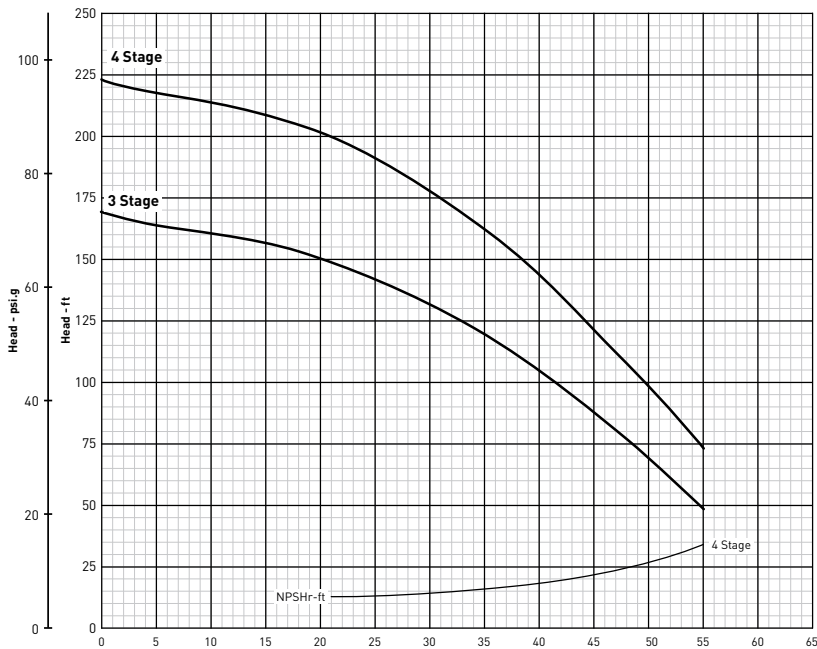
- ▶ Irrigation systems
- ▶ Water supply systems
- ▶ Shower and washing systems
- ▶ Heating and air conditioning systems
- ▶ Fountains



BERKELEY® SSHM-2

Performance Curves

Nominal RPM: 3450
Based on Fresh Water @ 68 deg. F.
Maximum Working Pressure: 175 PSI

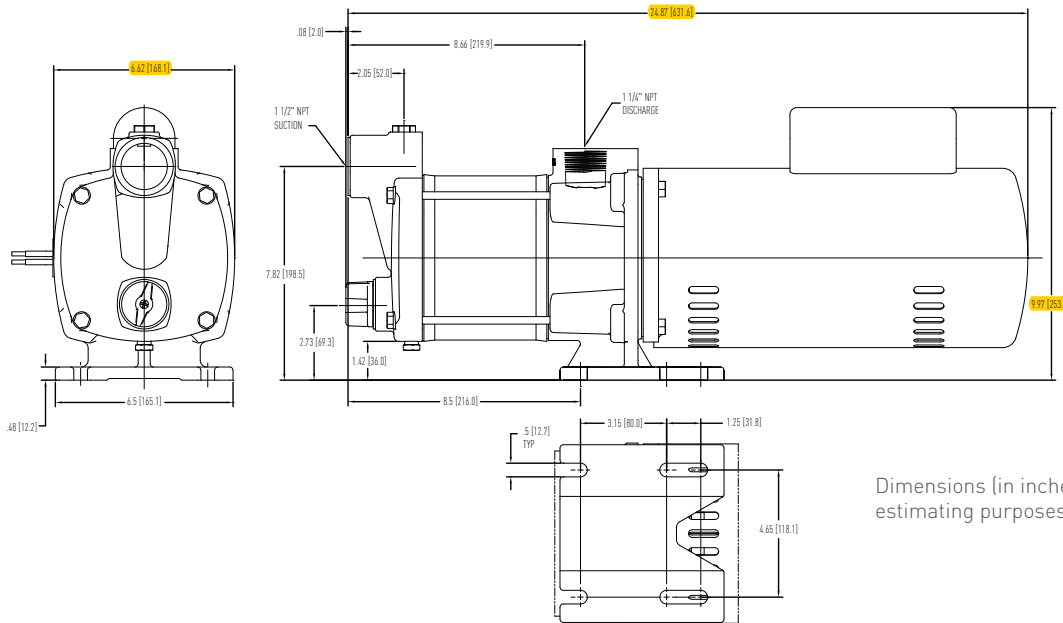


Specifications

Design points
4 Stage: 20 GPM at 200 feet,
30 GPM at 178 feet
3 Stage: 20 GPM at 150 feet,
30 GPM at 130 feet

Maximum suction pressure	20 psig. (46 feet)
Liquid compatibility	Clean water applications
Operating temperature	120° F (50° C) Max.
Priming capability	Max. 5 minutes at 15 feet suction lift
Max. discharge pressure	130 psig.

Outline Dimensions – 3 and 4 stage single phase pumps



Dimensions (in inches) are for estimating purposes only.



USA
293 WRIGHT STREET, DELAVAN, WI 53115 WWW.BERKELEYPUMPS.COM
PH: 888-237-5353 ORDERS FAX: 800-321-8793

CANADA
269 TRILLIUM DRIVE, KITCHENER, ONTARIO, CANADA N2G 4W5
PH: 888-363-7867 ORDERS FAX: 519-748-2553

Because we are continuously improving our products and services, Pentair reserves the right to change specifications without prior notice.