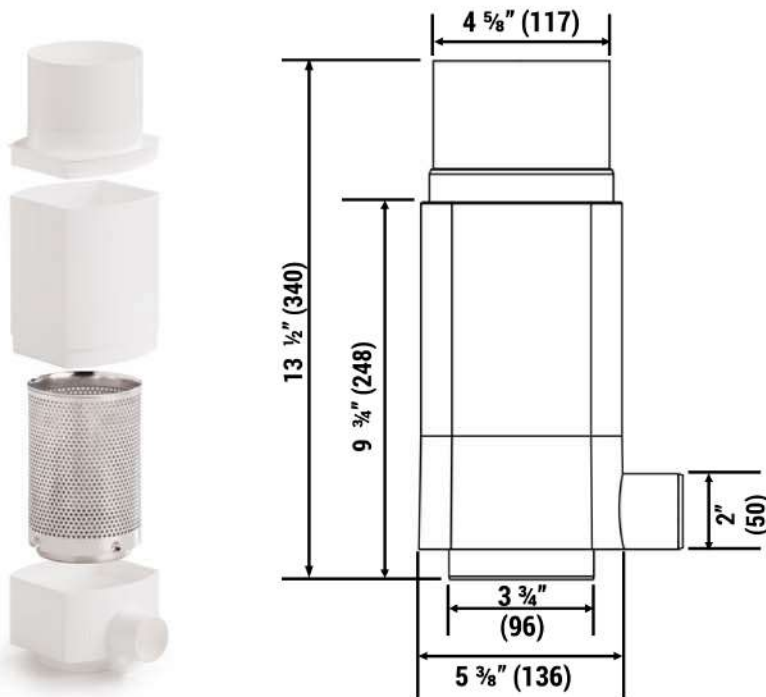




The **RAIN COLLECTOR RS** connects to a single vertical, rainwater downspout and can filter and divert precipitation for storage for car washing, irrigation or other non-potable uses. The filter requires minimal maintenance due to its ability to self-clean via a constant discharge of dirt and debris. The housing is made out of UV-resistant polypropylene and the stainless steel filter provides highest quality of rainwater. It has a **maximum flow rate** of about **65 GPM** and is suitable for a roof area of up to **1,600 square feet**.

Below are the dimensions and the specifications for the Rain Collector RS:



(Dimensions in parentheses are millimeters)

### FACTS:

Maximum Flow Rate:	65 GPM
Maximum Roof Area:	1,600 FT <sup>2</sup>
Item-No:	RS4100



#### Regularly Furnished:

- UV-Resistant Polypropylene Housing (including: Casing Cap, Casing Extension, Filter Casing)
- Stainless Steel Fine Mesh Filter (mesh size: 280 micron)

#### Additional Components Available:

- Stainless Steel Blind Insert
- 2" x 3" or 3" x 4" Downspout Kit
- 1" Flexible Hose with 2" Connection for Downspout Filter Mounting Kit

#### **Installation Note:**

- Must be mounted plumb and level
- Direct installation of 90° elbow or optional 1" flexible hose (with 2" connection) on 2" outlet
- Roof area above 1,600 ft<sup>2</sup> requires multiple Rain Collector RS or use of larger capacity filter

Rainwater Management Solutions  
2550 Shenandoah Ave NW  
Roanoke, VA 24017