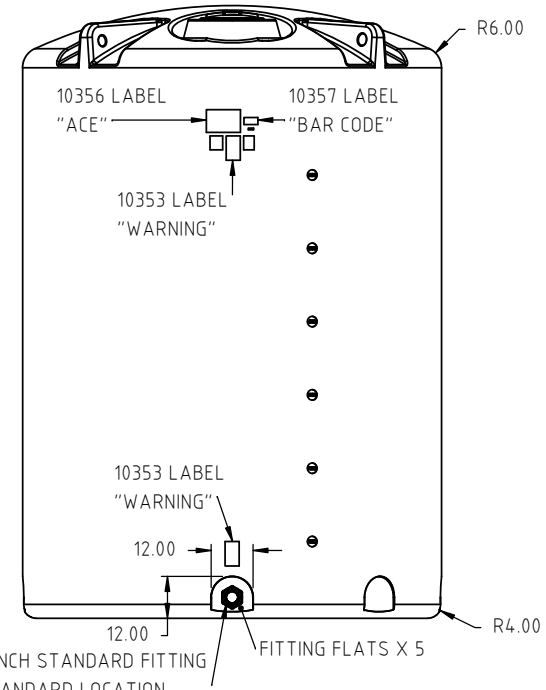
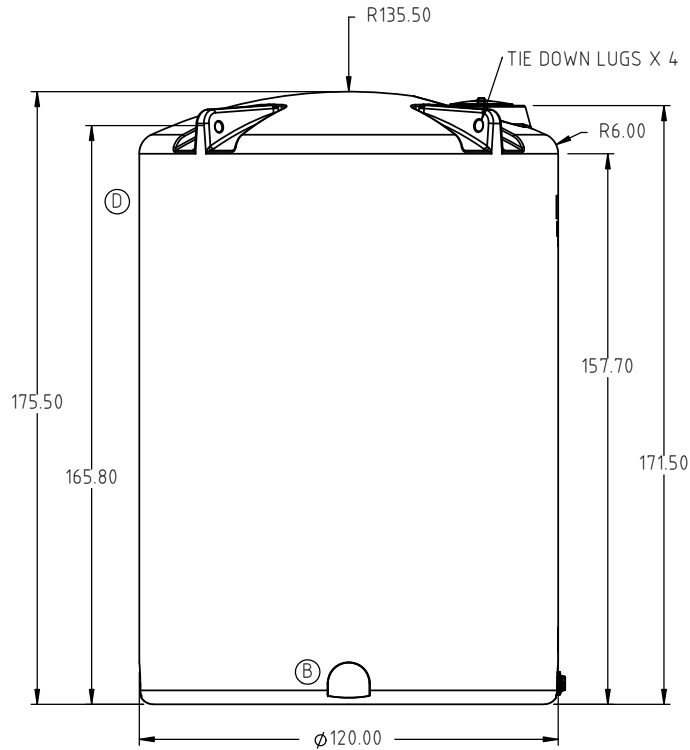
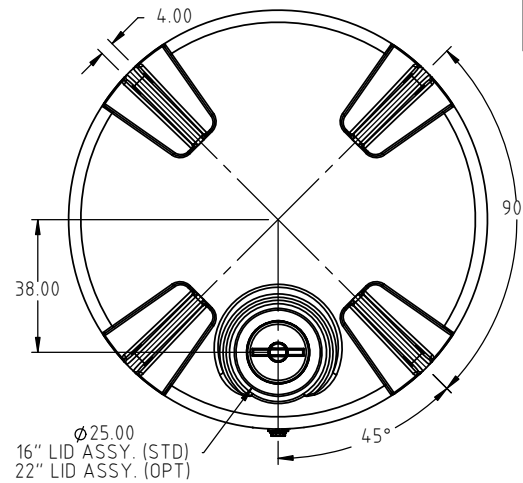
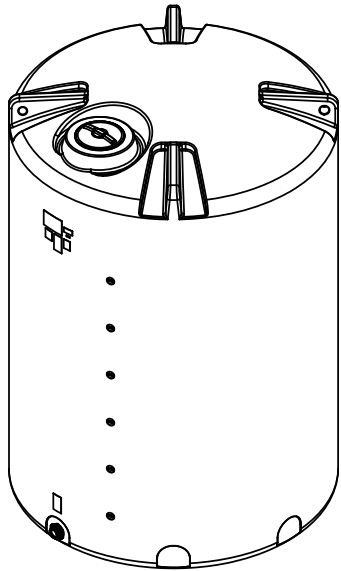


© DEN HARTOG INDUSTRIES, INC.

Copyright. All information furnished within this document, electronic file or design correspondence is the property of Den Hartog Industries, Inc. and shall not be used, disclosed to others or copied without the expressed written consent of Den Hartog Industries, Inc.

VT7800-120



D	RIB FEATURE REMOVED. DRAWING TEMPLATE UPDATED.	ADH 1/8/19	3694		
C	CHANGED STANDARD FITTING FROM 2" TO 3"	DHJ 3/31/10	2013	DRAWN / DATE	MATERIAL
B	CORRECT VIEW PERSPECTIVE. DRAWING TEMPLATE UPDATED. ADD THICKNESS.	DHJ 6/25/09	1895	REH 11/3/00	2 MELT
				APPRD. / DATE	
REV	DESCRIPTION	BY / DATE	CCN	DHJ 11/3/00	
ALL DIMENSIONS ARE IN DECIMAL INCHES TOLERANCES UNLESS OTHERWISE SPECIFIED		THIRD ANGLE PROJECTION ANSI 14.5M		SHOT WEIGHT: 1900 LBS	NOTES:
POLYETHYLENE		METAL DECIMAL ± .125" FRACTION ± 1/4" ANGLE ± 1°		SHIPPING WEIGHT: 1902 LBS	1.) 0.96 WALL @ FLAT
±1% @ 68°F				FINISH:	



Den Hartog
INDUSTRIES, INC.

Ace Roto-Mold Injection Molding Blow Molding Sowjoy

4010 HOSPERS DRIVE S. BOX 425, HOSPERS, IOWA 51238-0425

DESCRIPTION		7800 GALLON VERTICAL TANK	
SCALE	N.S.	PART NO.	VT7800-120