

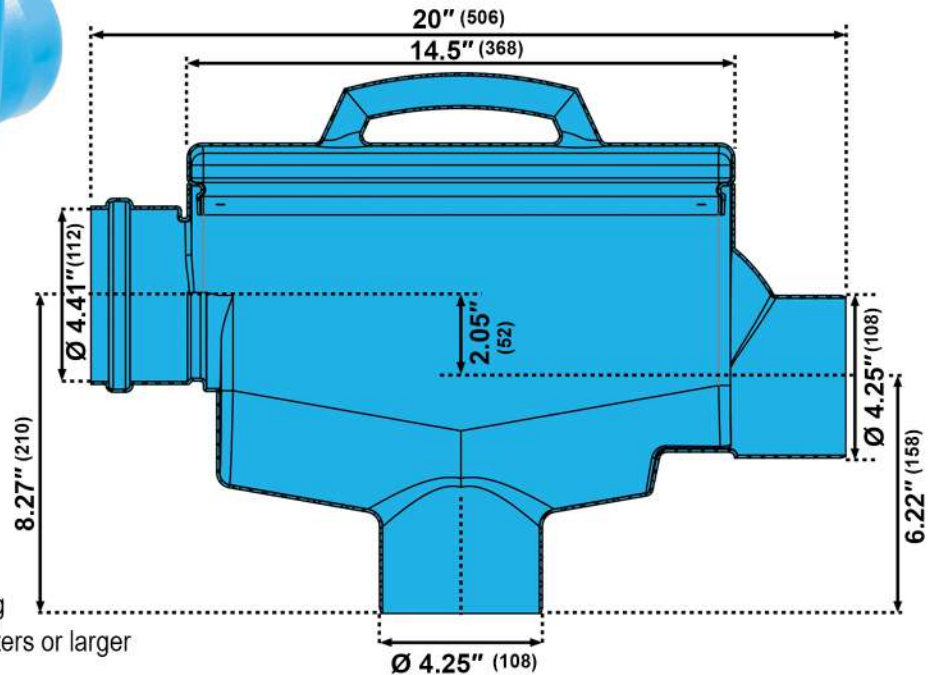


The **SlimRain 100 Horizontal Rainwater Filter** is a space-saving rainwater pre-tank filter designed to filter out particulate larger than 900 microns. The removable filter screen requires minimal maintenance and separates leaves, moss, insects, and other coarse materials. The housing can be placed directly into access shaft of a rainwater storage tank and is suitable for a roof area of up to **2,150 square feet**.

Below are the dimensions and the specifications for the SlimRain 100:



FACTS:	
Maximum Flow rate:	66 GPM
Maximum Roof Area:	2,150 FT ²
Item-No:	HF 1001



Dimensions in parentheses are millimeters

Installation Note:

- Must be mounted plumb and level
- Flexible Adapter Couplings may be necessary for piping
- Roof area above 2,150 ft² requires multiple SlimRain filters or larger capacity filter

Regularly Furnished:

- Poly filter housing
- Removable stainless steel filter insert

Additional Components Available:

- 4" Flexible Adapters

FUNCTION: The WISY SlimRain 100 Horizontal Rainwater Filter has been designed for installation in horizontal piping runs. The minimal difference between the rainwater inlet and storm/overflow outlet makes the filter an ideal option when elevations are strict. The filter can be installed in the access shaft of rainwater storage tanks. After the water has been filtered, it exits the housing through the bottom outlet.

The maximum flow rate is 66 gallons per minute. This applies for a conveyance system with a max slope of 1% and a max pipe fill level of 70%.

MAINTENANCE: Since the filter functions by way of capillary action, there are no baskets to clean or additional sprayers that require pressurized water and electricity to “rinse” the filter. The filter insert is easy to remove and should be inspected two to three times per year to ensure natural flow of water is not obstructed. Depending upon debris filtered, additional cleanings may be necessary to maximize efficiency. It is recommended to monitor the filter during the first months after installation.



Example of SlimRain Horizontal Rainwater Filter installed in access shaft of rainwater storage tank

TECHNICAL DATA

HEIGHT DIFFERENCE BETWEEN RAINWATER INLET AND STORM DRAIN OUTLET	2 INCHES
FILTER MESH SIZE	900 MICRONS
WATER YIELD AT 1.4L/sec (efficiency)	>97%
MAINTENANCE INTERVALS	2 to 3 TIMES PER YEAR
COMMON PIPE USED FOR CONNECTION	4" Sewer & Drain Pipe (S&D 35)
ITEM NUMBER	HF 1001