

VORTEX FINE FILTER WFF 300 STAINLESS

- **Drainage safety according to DIN**
- **For Rainwater or industrial process water**
- **Applicable everywhere where overflowing of fluids must be prevented**
- **In- and outgoing pipes with Ø 300mm flanges**



Our rainwater and industrial Vortex fine filters WFF 300 VA are made of stainless steel. stainless steel. Due to the unique arrangement of the filter fabric, they have a high self-cleaning effect and can be self-cleaning effect and can therefore be operated almost continuously without the need to the process has to be interrupted cyclically.

They are designed for unpressurised flowing media and can be used everywhere where filtered or solids have to be concentrated in liquids.

Capacity

The filter is designed for a flow velocity of up to 1.6 m/s. The nominal flow rate is 13 litres per second and results in 90% filtered water and 10% residual and rinsing water. The rinsing water is used to clean the screen and to continuously remove the solids. The maximum flow rate is 80.6 litres per second.

Housing

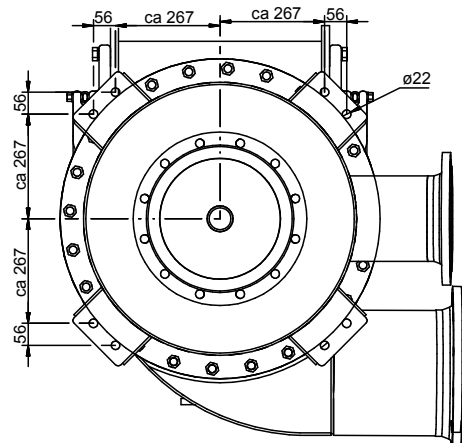
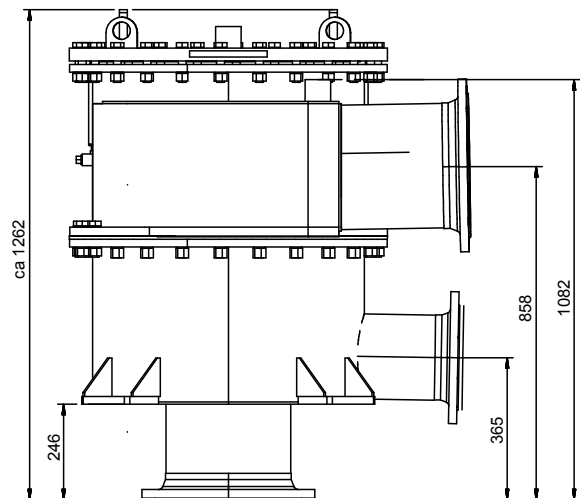
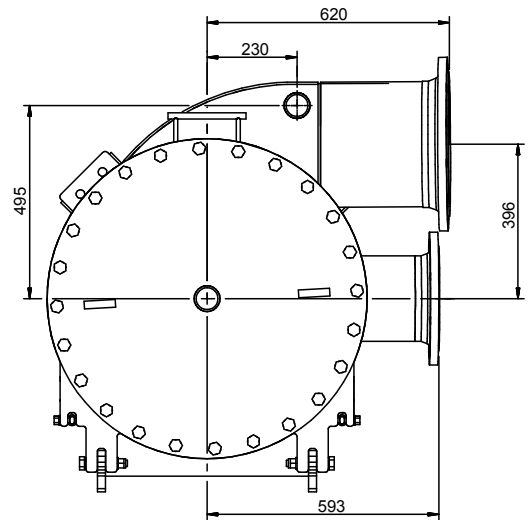
The housing of the filter WFF 300 stainless consists of consists of an upper and a lower part. This allows easy adjustment of the direction between the liquid inlet and filtrate outlet in 15° steps. Flange connections according to DIN or ANSI are provided for the pipe. Housing and filter insert are made of stainless steel V2A. For foodgrade conditions or for acidic media a version made of V4A is available.

Cover

The Cover is made of the same stainless steel as the housing. It is leak-proof up to a up to a pressure of 6 bar. By help of two gas-springs the lid can be easily be operated with one hand..

Filter insert

The filter insert is made of stainless steel In the standard version it has a mesh size of 0.38 mm; other widths are available. Particles larger than the the mesh size are carried by the rinsing water downwards to the outlet. For special applications e.g. with abrasive solids the filter insert can be coated with titanium nitride coating. This increases the service life and material strength.



Technical Data

filtration rate at 1,6 m/s und 13 l/s	> 90 %
Meshsize	0,18 mm Maschenweite
	0,38 mm Maschenweite
	Weitere auf Anfrage

Connections

Horizontally incoming water:	DN 300 PN 10 DIN 2632/C EN 1092-1/B1 Typ 11
Horizontally outgoing filtered water:	DN 200 PN 10 DIN 2632/C EN 1092-1/B1 Typ 11
Vertically outgoing dirt and rinsing water:	DN 300 PN 10 DIN 2632/C EN 1092-1/B1 Typ 11

Material

Housing, Cover, Filter Insert Stainless steel:	1.4301 optional 1.4571
Filter insert for abrasive application:	optional coating with Titan-Nitrite

**WFF 300 stainless
with open Cover**



**WFF 300 stainless
with closed Cover**



Vortex fine filter WFF 300 stainless

Item No.

▶ 6 bar, 380 µm, two part housing

WF 3031

Other model sizes and connection diameters on request